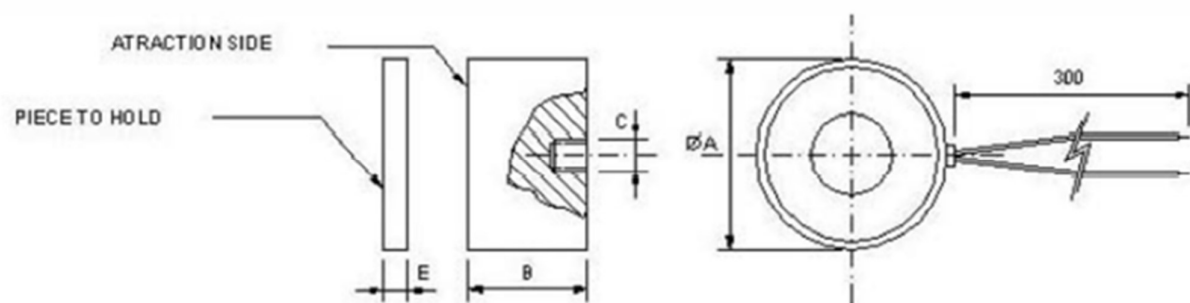




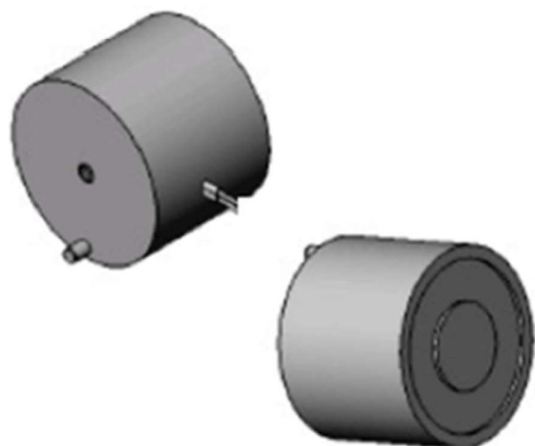
# ELECTROMAGNET LEM-25N



## TECHNICAL CHARACTERISTICS

### SIZES (mm):

$\varnothing A$	B	C
25	20	M3



**Degree of protection:** IP54

**Thermal Class:** B (130)

**Rated Voltage:** 24V DC

**Power P (W):** 5,2

**Working Factor E.D.:** 50%

**Maintenance factor Fm (N):** 60

**Thickness of piece to hold:** 2,5 mm