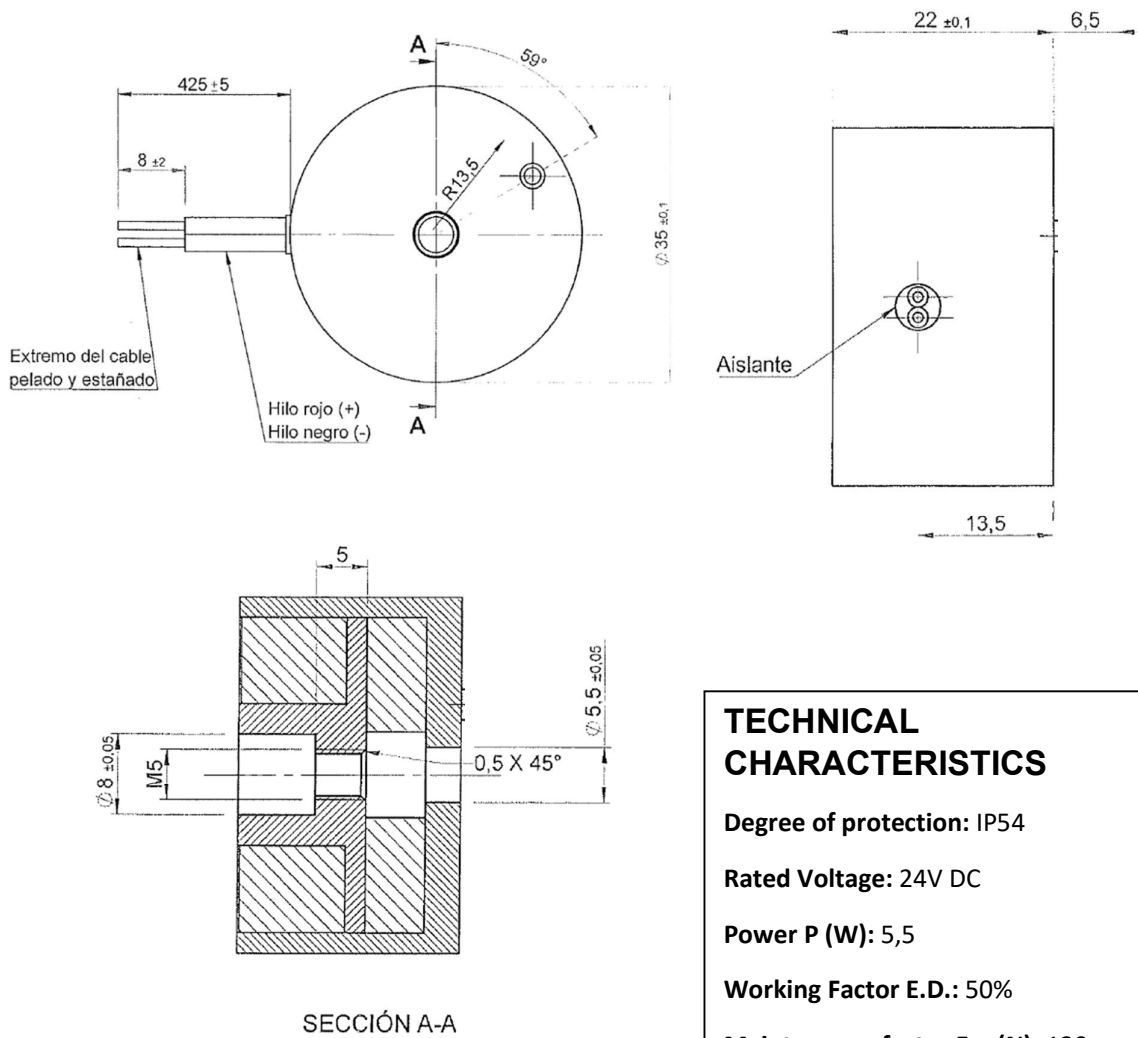


ELECTROMAGNET LEM-35N



TECHNICAL CHARACTERISTICS

Degree of protection: IP54

Rated Voltage: 24V DC

Power P (W): 5,5

Working Factor E.D.: 50%

Maintenance factor Fm (N): 120

Weight: 0,44 Kg.

Antirotation pin: 3 x 10 DIN 6325
(Optional)

Wire: AWG 23