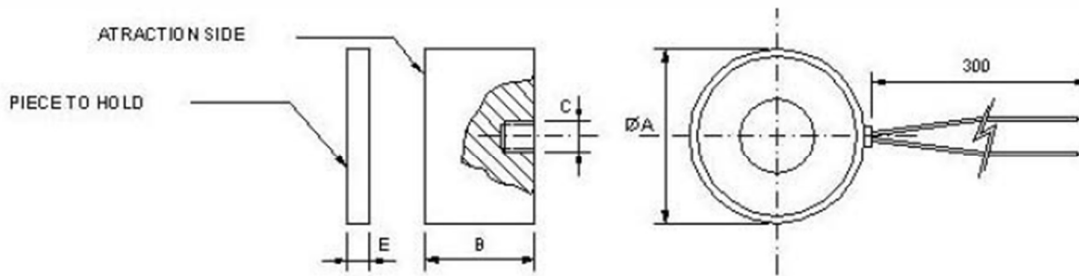




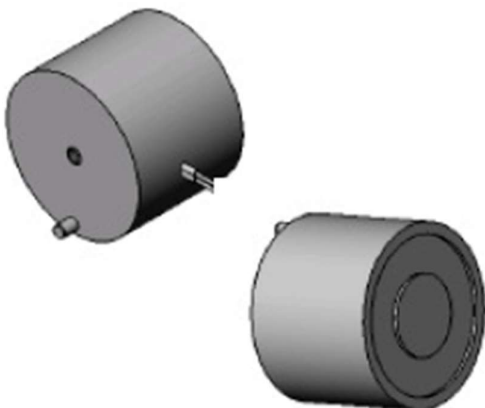
ELECTROMAGNET LEM-40N



TECHNICAL CHARACTERISTICS

SIZES (mm):

$\varnothing A$	B	C
40	35	M6



Degree of protection: IP54

Thermal Class: B (130)

Rated Voltage: 24V DC

Power P (W): 7

Working Factor E.D.: 50%

Maintenance factor Fm (N): 250

Thickness of piece to hold: 5mm

Weight: 0,22 Kg.