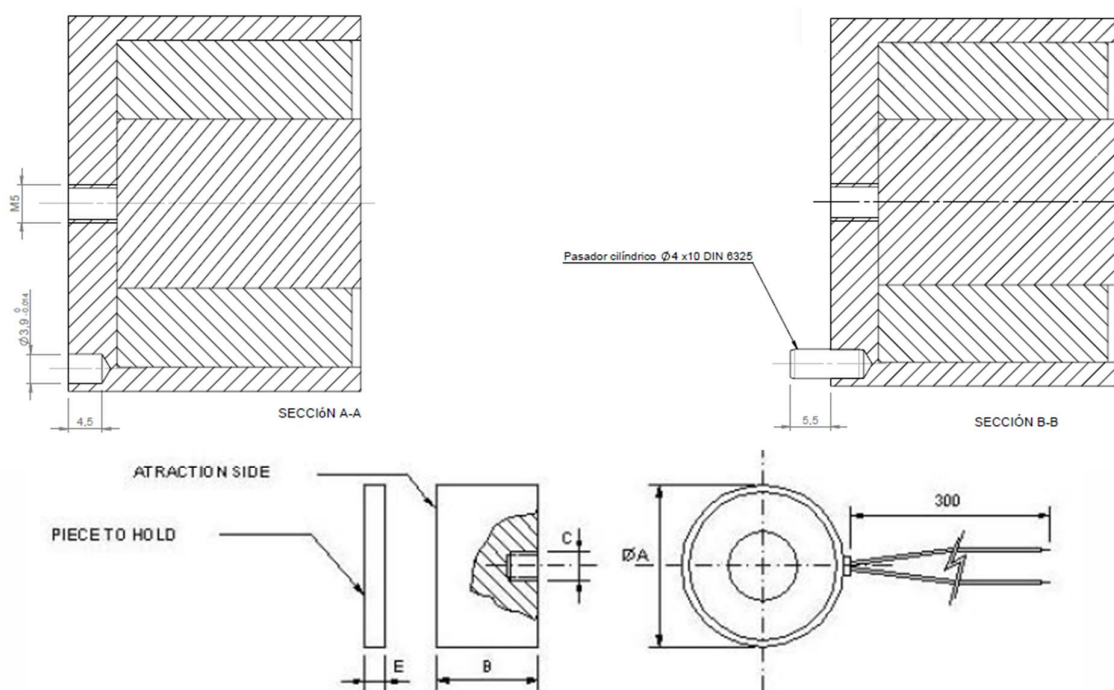




ELECTROMAGNET LEM-50N



TECHNICAL CHARACTERISTICS

SIZES (mm):

ØA	B	C
50	39	M5

Degree of protection: IP54

Rated Voltage: 24V DC

Power P (W): 10

Working Factor E.D.: 25%

Maintenance factor Fm (N): 520

Thickness of piece to hold: 5mm

Weight: 0,44 Kg.

Antirotation pin: 4 x 10 DIN 6325

